

华通威通讯

8月刊 · 2018年

NO 79

全球认证 本地化服务 Local Service For Global Certification



檢測及認證服務

China Certification & Inspection
Group Shenzhen Co., Ltd.

創造更值信賴的世界
CCIC be around you, For a more reliable world!

中国检验认证集团深圳有限公司
CHINA CERTIFICATION & INSPECTION GROUP SHENZHEN CO., LTD.

深圳华通威国际检验有限公司
SHENZHEN HUATONGWEI INTERNATIONAL INSPECTION CO., LTD.



03 深圳华通威诚邀您参观

---2018 香港秋季电子产品展

07 深圳华通威被评为深圳海关 2018 年度检验结果被采信机构

目录 CONTENTS

华通威新闻

- 03 深圳华通威诚邀您参观 2018 香港秋季电子产品展
 - 04 DNV 挪威船级社莅临深圳华通威开展医疗器械测试能力审核
 - 05 深圳华通威顺利通过 CBTL 复评审和扩项评审
 - 06 销售技能进阶培训，旨在为您提供更好的服务品质！
 - 07 深圳华通威被评为深圳海关 2018 年度检验结果被采信机构
-

专题

- 08 电动自行车转为强制性产品认证
 - 09 RED & FCC 认证文件要求
-

标准更新

- 15 搅拌机和食物处理器的 EK1 646-16 决议再次更新
-

行业资讯

- 16 8 月 1 日后，这项政策正式实施，械企将迎来重大变化！
- 18 工信部发布 2018 第三批行标制修订计划 涉及多项光谱、色谱分析方法



深圳华通威国际检验有限公司，是中国合格评定国家认可委员会（CNAS）、美国实验室认可协会（A2LA）认可实验室，国家质检总局（AQSIQ）认可检验机构，具备国际电工委员会（IEC）CB 资质，中国检验认证集团（CCIC）下属综合性实验室，是“国家高新技术企业”。

地 址：深圳高新技术产业园科技南十二路
公明实验室：深圳市公明田寮根玉路宏发高新产业园 9 栋 1 楼
EMC 实验室：深圳市公明田寮根玉路宏发高新产业园 3 栋 1 楼

[Http://www.szhtw.com.cn](http://www.szhtw.com.cn)

业务咨询：

电 话：86-755-26748019

传 真：86-755-26748089

E-mail：sale@szhtw.com.cn

免责声明：

本刊物仅限参考、交流，任何未经本刊授权，不得转载、摘编或以其他方式发行！本刊所有文章仅代表作者观点，不构成任何咨询或专业建议，不取代任何法律、规定、标准或者条例，本刊不承担任何因此造成的损失或法律责任。



深圳华通威诚邀您参观

-----2018 香港秋季电子产品展



Hong Kong Electronics Fair (Autumn Edition)
2018香港秋季電子產品展
 10月13日— 16日 香港会议展览中心

华通威展位
3CON-37A



2018年10月13日—16日，“2018年香港秋季电子产品展”将在中国·香港会议展览中心举行。

长期以来，华通威凭借经验丰富的专业技术团队、依托国际一流的专业检测设备、本着对专业精益求精的工作态度，为医疗器械、无线通信、IT信息资讯、AV音视频、家用电器、玩具、灯具、纺织、皮革类等多种产品提供EMC电磁兼容检测、安全检测和化学检测等专业检测。我们秉承检测认证综合解决方案的服务理念，为客户的产品提供有效的质量保障！

现诚邀广大新老客户光临 **3CON-37A** 华通威展位参观、考察，我们真诚期待能与您在展会上相遇，与您一起共同探讨产品质量安全之道。

华通威参展信息：

- 展会时间： 2018年10月13日—16日
- 展会地点： 中国·香港会议展览中心
- 展位号： **3CON-37A**

参展时间表：

展览日期	开放时间	登记时间
2018年10月13日-15日	09:30 - 18:30	09:00 - 18:00
2018年10月16日	09:30 - 17:00	09:00 - 15:30

参观证在线申请网址：

- 敬请各位展会参观人士提前在线免费申请参观证，现场办理需排队，且收费。

[点此进入官方申请页面](#)

DNV 挪威船级社莅临深圳华通威开展医疗器械测试能力审核

8月底，DNV·GL 代表，大中国地区产品认证及检验服务张总监及产品检验工程师莅临深圳华通威公明实验室开展医疗器械类实验室能力审核。



实验室规范化、流程化的管理，高端的设备配置，以及快速响应的技术服务，获得了 DNV 代表的高度认可。

深圳华通威培养了一支有着多年医疗器械行业检测经验的专家团队，长期以来为各大品牌客户如迈瑞、理邦、新产业、复星、普施康等提供“一站式”检测、认证解决方案。华通威秉承全球认证、本地化的服务理念，积极拓展与国际权威机构的深入合作，提升自身的国际影响力，为客户的产品行销全球疏通渠道，降低壁垒。

DNV·GL 成立于 1864 年，是一家全球领先的专业风险管理服务机构，主要涉及船级服务，认证服务，技术服务等方面，其医疗器械类检测范围大，能力全，且公司在全球 100 个国家中设立了约 300 个分支机构，服务好评价高。

实验室规范化、流程化的管理，高端的设备配置，以及快速响应的技术服务，获得了 DNV 代表的高度认可。

深圳华通威培养了一支有着多年医疗器械行业检测经验的专家团队，长期以来为各大品牌客户如迈瑞、理邦、新产业、复星、普施康等提供“一站式”检测、认证解决方案。华通威秉承全球认证、本地化的服务理念，积极拓展与国际权威机构的深入合作，提升自身的国际影响力，为客户的产品行销全球疏通渠道，降低壁垒。

DNV·GL 成立于 1864 年，是一家全球领先的专业风险管理服务机构，主要涉及船级服务，认证服务，技术服务等方面，其医疗器械类检测范围大，能力全，且公司在全球 100 个国家中设立了约 300 个分支机构，服务好评价高。

深圳华通威顺利通过 CBTL 复评审和扩项评审

2018年9月4-5日，深圳华通威实验室顺利通过CBTL复评审和扩项的现场评审，认可标准范围包括ISO/IEC17025和IECEE的要求。



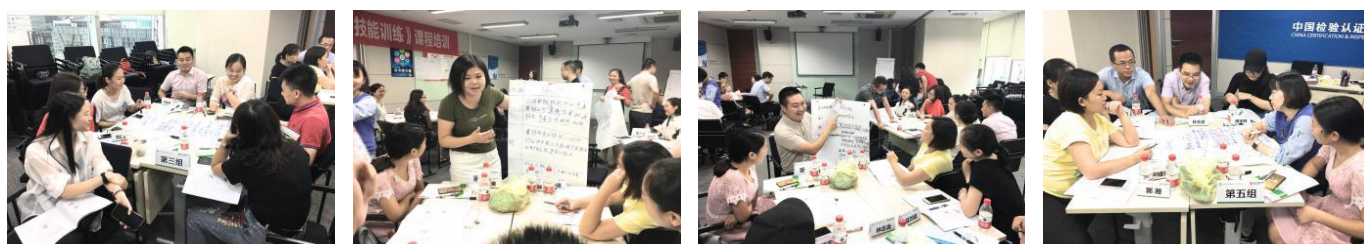
此次评审由国际电工委员会电工产品安全认证组织（IECEE）委派评审组对华通威进行了复评审和EMC领域的扩项审核。评审组由挪威专家 Mr. Trond Sollie 任审核组长，TUV 莱茵技术专家 Mr. István Seres 任技术评审员，在 NCB UL (Demko) 代表 Jason Chiu 的陪同下，对实验室质量管理和技术运作进行了全面审核。评审组专家对华通威的技术能力和管理水平给予了较高评价，认为华通威在实验室人员、设备、材料、测试方法和环境条件等方面进行了有效的控制，能够持续有效地运行质量管理体系并不断改进，保证了检测工作的质量，并给予极大的肯定！



华通威实验室获得的CBTL资质包含了OFF, TRON, AV/IT, EMC等领域，此次成功扩项EMC CISPR 32/35标准。立足现在，展望未来！我们将进一步提高质量管理水平和检测技术水平，为出口企业提供更优质的认证服务。

销售技能进阶培训，旨在为您提供更好的服务品质！

销售人员是公司“行走的名片”。为进一步提升华通威的服务水平，展现公司的专业度和综合实力，从而给客户带来更优质的服务体验，8月11日至12日，华通威特邀请清华大学专家郝志强为全体销售开展《TBP 基于心理学的顾问式销售技能训练》的定制培训。



此次培训得到公司领导的高度重视，公司全体业务均积极参与。通过两天的分组培训，运用习得的心理学理论，如“接触效应”、“认知失调”、“首因效应”、“近因效应”等，大家共同探讨跟客户沟通中遇到的各种难题，优化了销售的意识和方式，树立了以客户为中心、帮助客户解决问题的“顾问式”销售理念。

相信此后，华通威的一站式检测服务方案，不仅解决客户的当务之急，更能把握细节，挖掘和维护好客户的潜在需求，解决问题，与客户建立起伙伴关系，让客户真正获得专业的、需要的服务。

十年来，华通威一直秉承“检测认证综合解决方案”的服务理念立足于竞争激烈的市场之中。通过此次培训，我们向大众展现了华通威的服务理念不是一句空口言，而是所有华通威人为提升服务品质、承担社会责任，不断学习、不断努力的方向！

深圳华通威被评为深圳海关 2018 年度检验结果 被采信机构

2018年6月27日，中华人民共和国深圳海关针对深圳地区部分进口工业产品实施检验结果采信的有关事项发布公告[2018年第7号]。深圳华通威被成功评为深圳海关2018年度检验结果被采信机构，被采信商品类别为**服装**，范围详见CNAS L1225认可证书附件。

根据《中华人民共和国进出口商品检验法》及其实施条例的相关规定和《国务院关于完善进出口商品质量安全风险预警和快速反应监管体系切实保护消费者权益的意见》（国发〔2017〕43号）关于复制推广第三方检验结果采信的的要求，公告[2018年第7号]要求：

- **实施检验结果采信的进口商品范围：**

食品接触产品、金属材料、电动自行车、一次性卫生用品、儿童玩具、汽车和服装。

- **实施检验结果采信的商品编号范围（列举服装类）：**

商品编号	名称或者类别及备注
61%至62%	针织或钩编的服装及衣着附件； 非针织或非钩编的服装及衣着附件
注：编号后带%符号者包含该编号项下所有相关法检工业品	

- **实施检验结果采信的工业产品具体检验项目（服装类）：**

服装： 标识、纤维成分及含量、甲醛含量、pH值、耐水色牢度、耐酸汗渍色牢度、耐碱汗渍色牢度、耐干摩擦色牢度、耐唾液色牢度、异味、可分解致癌芳香胺染料。

服装儿童： 标识、纤维成分及含量、甲醛含量、pH值、耐水色牢度、耐酸汗渍色牢度、耐碱汗渍色牢度、耐干摩擦色牢度、耐湿摩擦色牢度、耐唾液色牢度、异味、可分解致癌芳香胺染料、重金属含量（铅、镉）、邻苯二甲酸酯（DEHP、DBP、BBP、DINP、DIDP、DNOP）、燃烧性能、可触及的锐利尖端、可触及的锐利边缘、绳带、断针。

婴幼儿服装： 标识、纤维成分及含量、甲醛含量、pH值、耐水色牢度、耐酸汗渍色牢度、耐碱汗渍色牢度、耐干摩擦色牢度、耐湿摩擦色牢度、耐唾液色牢度、异味、可分解致癌芳香胺染料、重金属含量（铅、镉）、邻苯二甲酸酯（DEHP、DBP、BBP、DINP、DIDP、DNOP）、燃烧性能、可触及的锐利尖端、可触及的锐利边缘、绳带、断针、小附件拉力。

- **进口工业产品实施检验结果采信的区域范围：**

商品名称	实施采信的区域		
	中国（广东）自贸区	福田保税区、盐田综合保税区和深圳出口加工区	深圳市全域
食品接触产品	是	否	否
金属材料	是	是	否
电动自行车	是	是	否
一次性卫生用品	是	是	否
儿童玩具	是	是	否
汽车	是	是	是
服装	是	是	是

被采信机构应当根据采信要求对采信商品实施检验，进口商品的收货人或者代理人可以凭被采信机构签发的检验报告向海关申请实施采信。海关对被采信机构出具的检验报告进行符合性评估，结合现场检查与入境验证结果，以及合格保证审查情况，综合评定进口商品是否符合我国技术规范的限制性要求或者公示的其他采信要求。

公告[2018年第7号]官方链接：http://jiangmen.customs.gov.cn/shenzhen_customs/511686/511688/511689/1927124/index.html

电动自行车转为强制性产品认证

2018年07月，认监委公告：电动自行车产品由生产许可证转为实施强制性产品认证（以下简称“CCC认证”）管理。实施规则为CNCA-C11-16:2018《强制性产品认证实施规则 电动自行车》，自2018年8月1日起实施。

认监委指定的认证机构共5家，分别是：中国质量认证中心、中汽认证中心有限公司、北京中轻联认证中心、广东质检中诚认证有限公司、深圳市计量质量检测研究院。



华通威解决方案：

各电动自行车企业需注意核查所生产的样机是否满足标准《GB 17761-2018 电动自行车安全技术规范》。



RED 认证文件要求

标签要求 Label Requirement:

1. Where compliance of radio equipment with the applicable requirements has been demonstrated by that conformity assessment procedure, manufacturers shall draw up an EU declaration of conformity and **affix the CE marking**.产品符合 CE 相关指令要求, 则产品需标示"CE Logo"
2. Manufacturers shall ensure that radio equipment which they have placed on the market bears a **type, batch or serial number or other element allowing its identification**, or, where the size or nature of the radio equipment does not allow it, that the required information is provided on the packaging, or in a document accompanying the radio equipment.产品确认投放市场, 则需要在产品标示其"型号"
3. Manufacturers shall indicate on **the radio equipment their name, registered trade name or registered trade mark and the postal address at which they can be contacted** or, where the size or nature of radio equipment does not allow it, on its packaging, or in a document accompanying the radio equipment. The address shall indicate a single point at which the manufacturer can be contacted. The contact details shall be in a language easily understood by end-users and market surveillance authorities.产品上要体现"产品名、商标或品牌、通信地址", 如产品太小, 可放置在包装上、或说明书、或随产品销售的宣传页上.

4. Label 尺寸大小不作要求, 清晰可见即可

【华通威解析】

建议标签体现以下信息: CE Logo、Trade mark、Product name、Model number、Postal address
(如标签上没有放置, 则务必在说明书、或包装盒上放置)



标签位置 Label location:

1. Label 内容雕刻、印刷产品外观上
2. 位置应为: 在一永久平面上, 不可拆卸部件上(例如: 电池盖、拐角处)

说明书 User manual:

1. 需要体现 CE 警示语
2. 需要体现以下基本信息

2.1 说明书 User manual —— label information:

1. Where compliance of radio equipment with the applicable requirements has been demonstrated by that conformity assessment procedure, manufacturers shall draw up an EU declaration of conformity and affix the CE marking.产品符合 CE 相关指令要求, 则产品需标示"CE Logo"
2. Manufacturers shall ensure that radio equipment which they have placed on the market bears a type, batch or serial number or other element allowing its identification, or, where the size or nature of the radio equipment does not allow it, that the required information is provided on the packaging, or in a document accompanying the radio equipment.产品确认投放市场, 则需要在产品标示其"型号"
3. Manufacturers shall indicate on the radio equipment their name, registered trade name or registered trade mark and the postal address at which they can be contacted or, where the size or nature of radio equipment does not allow it, on its packaging, or in a document accompanying the radio equipment. The address shall indicate a single point at which the manufacturer can be contacted. The contact details shall be in a language easily understood by end-users and market surveillance authorities.

【华通威解析】

1. 产品上要体现"产品名、商标或品牌、通信地址", 如产品太小, 可放置在包装上、或说明书、或随产品销售的宣传页上.
2. 不管产品尺寸大小, 都需要在说明书上体现 label 要求的信息: CE Logo, Trade mark, Product name, Model number, Postal address

2.2 说明书 User manual —— RF Specification:

1. The following information shall also be included in the case of radio equipment intentionally emitting radio waves:
Frequency band(s) in which the radio equipment operates;产品的工作频率范围
Maximum radio-frequency power transmitted in the frequency band(s) in which the radio equipment operates. 产品的各频段的最大发射功率

【华通威解析】

需要体现产品 RF 技术规格信息: 各工作频率范围、及对应的 RF 发射功率

2.3 说明书 User manual —— Accessories information:

1. Instructions shall include the information required to use radio equipment in accordance with its intended use. Such information shall include, where applicable, a description of accessories and components, including software, which allow the radio equipment to operate as intended.

【华通威解析】

随产品出货的附属配件清单，需要体现以下信息:配件名称、型号、厂家、产品的软件、硬件版本信息

2.4 说明书 User manual —— Restriction information:

1. In cases of restrictions on putting into service or of requirements for authorization of use, information available on the packaging shall allow the identification of the Member States or the geographical area within a Member State where restrictions on putting into service or requirements for authorization of use exist. Such information shall be completed in the instructions accompanying the radio equipment.

【华通威解析】

某一频段在欧盟某一国家限制使用，则需要 在说明书或包装上标示

1, 如在欧盟有限制使用则显示 (如图)

“!”代表是警示作用、限制使用



“XX”代表是欧盟某一成员国代 码

2, 如无限制使用则显示

This product can be used across EU member states.

2.5 说明书 User manual —— Safety information:

1. Manufacturers shall ensure that the radio equipment is accompanied by instructions and safety information in a language which can be easily understood by consumers and other end-users, such instructions and safety information, as well as any labelling, shall be clear, understandable and intelligible. 安装与安全信息需要体现在说明书中, 这些信息务必通俗易懂

【华通威解析】

1, Mandatory requirement / 强制要求

- Operation temperature range: -20℃~ 55℃
- RF exposure information: The device complies with RF exposure require when the device used at Xmm form your body
- Declaration of conformity: [company name] hereby declares that [product name] is in compliance with the essential requirements and other relevant provisions of Directive 2014/53/EU
- Doc information: DOC 文件要求的信息, 或 DOC 文件的网址链接信息

2, Option requirement / 可选要求

- AC adapter: The adapter shall be installed near the equipment and shall be easily accessible
- USB interface: The product shall only be connected to a USB interface of type-C version.
- Lithium Battery: Risk of explosion if battery is replaced by an incorrect type, dispose of used battery according to the instructions.
- Earphone: Use careful with the earphone maybe possible excessive sound pressure from earphones and headphones can cause hearing loss
- 5G WIFI




Slave devices without radar detection: (5G WiFi not support hospot mode)

Support 5.15~5.25GHz band: (The UNII Band 1 indoor use only)

Support 5.725~5.825GHz, and Category 1 receive device: (This product is a category 1 receiver device)



FCC 认证文件要求

标签要求 Label Requirement:	
Label 尺寸大小不作要求, 清晰可见即可 其他要求如下:	
1.1 标签要求 Label Requirement ——SDoC:	
Compliance Information	<ol style="list-style-type: none"> 1. Identification of the product, e.g., trade name, model, etc.产品标识: 商标、型号 2. A statement that the product complies with the rules, as applicable #1; 产品适用的符合性声明 3. The name and address, and telephone number, or internet contact information of the responsible party's contact located in the United States.在美国可联系到的代理信息: 公司名、地址、电话、或网址
FCC Logo	Devices authorized under the SDoC procedure have the option to use the FCC logo to indicate compliance with the FCC rules 产品符合了 SDoC 认证流程, 则可以 FCC logo. <div style="text-align: right;">  </div>
【华通威解析】 <ol style="list-style-type: none"> 1. The compliance information must be provided in a form that an end-user can reasonably be expected to have the capability to access: the instruction manual, a separate product insert, computer disk, web page, or the device's own electronic screen.可以通过以下方式体现: 说明书、插页、光碟、网页、产品的显示屏 2. 建议标签体现以下信息: FCC logo, Trade name, model 	
1.2 标签要求 Label Requirement ——SDoC Certification:	
General	<ol style="list-style-type: none"> 1. The product shall bear a nameplate or label with the FCC Identifier (FCC ID), The FCC ID must always be accessible when using the product.产品必须要有 FCC ID 2. The placement of the FCC ID must be a physical label on the product, unless an e-label is used.体现 FCC ID 必须是物理标签 (除非使用了电子标签)
FCC Part15 Statement	This device complies with part 15 of the FCC Rules. Operation is subject to the following two conditions: <ol style="list-style-type: none"> 1. This device may not cause harmful interference, and 2. This device must accept any interference received, including interference that may cause undesired operation.
【华通威解析】 <ol style="list-style-type: none"> 1. When the device is so small, or for such use that it is impracticable to label with a font size that is four-points or larger, then the FCC ID shall be placed in the user manual, and the FCC ID shall also be placed either on the device packaging or on a removable label attached to the device. 如产品尺寸太小(不能放置 4 号字体), 则 FCC ID 可放置在说明书、包装盒、移动标签上。 2. 建议标签体现以下信息: FCC ID, Trade name, model 	
1.3 标签要求 Label Requirement ——SDoC^{#1}	
FCC Part15 compliance information:	Products authorized under Part 15 using SDoC or Certification require a label containing one of the following compliance statements <ol style="list-style-type: none"> 1. Receivers associated with licensed radio service operations: This device complies with part 15 of the FCC Rules. Operation is subject to the condition that this device does not cause harmful interference. 2. Stand-alone cable input selector switch: This device complies with part 15 of the FCC Rules for use with cable television service. 3. All other devices: This device complies with part 15 of the FCC Rules. Operation is subject to the following two conditions: <ol style="list-style-type: none"> (1) This device may not cause harmful interference, and (2) This device must accept any interference received, including interference that may cause undesired operation.

FCC Part18 compliance information	Products authorized under SDoC and Part 18 required to include a compliance statement similar to the following: "This device complies with Part 18 of the FCC Rules."
1.4 标签要求 Label Requirement ——SDoC#1 Certification	
Modules	A host product shall use a physical label stating "Contains Transmitter Module FCC ID: XYZMODEL1," or "Contains FCC IDs: XYZMODEL1, XYZMODEL2," or shall use e-labeling
标签位置 Label location:	
<ol style="list-style-type: none"> Label 内容雕刻、印刷产品外观上 位置应为: 在一永久平面上, 不可拆卸部件上(例如: 电池盖、拐角处) 	
说明书 User manual:	
FCC Part15 Requirement	
FCC Part15.19	<ol style="list-style-type: none"> Receivers associated with licensed radio service operations: This device complies with part 15 of the FCC Rules. Operation is subject to the condition that this device does not cause harmful interference. Stand-alone cable input selector switch: This device complies with part 15 of the FCC Rules for use with cable television service. All other devices: This device complies with part 15 of the FCC Rules. Operation is subject to the following two conditions: This device may not cause harmful interference, and This device must accept any interference received, including interference that may cause undesired operation.
FCC Part15.21	Changes or modifications not expressly approved by the party responsible for compliance could void the user's authority to operate the equipment.
FCC Part15.10 5	<ol style="list-style-type: none"> For a Class A digital device or peripheral, the instructions furnished to the user shall include the following or similar statement, placed in a prominent location in the text of the manual: NOTE: This equipment has been tested and found to comply with the limits for a Class A digital device, pursuant to part 15 of the FCC Rules. These limits are designed to provide reasonable protection against harmful interference when the equipment is operated in a commercial environment. This equipment generates, uses, and can radiate radio frequency energy and, if not installed and used in accordance with the instruction manual, may cause harmful interference to radio communications. Operation of this equipment in a residential area is likely to cause harmful interference in which case the user will be required to correct the interference at his own expense. For a Class B digital device or peripheral, the instructions furnished to the user shall include the following or similar statement, placed in a prominent location in the text of the manual: NOTE: This equipment has been tested and found to comply with the limits for a Class B digital device, pursuant to part 15 of the FCC Rules. These limits are designed to provide reasonable protection against harmful interference in a residential installation. This equipment generates, uses and can radiate radio frequency energy and, if not installed and used in accordance with the instructions, may cause harmful interference to radio communications. However, there is no guarantee that interference will not occur in a particular installation. If this equipment does cause harmful interference to radio or television reception, which can be determined by turning the equipment off and on, the user is encouraged to try to correct the interference by one or more of the following measures: —Reorient or relocate the receiving antenna. —Increase the separation between the equipment and receiver. —Connect the equipment into an outlet on a circuit different from that to which the receiver is connected. —Consult the dealer or an experienced radio/TV technician for help.
RF EXPOSURE INFORMATION	
<ol style="list-style-type: none"> In many instances it may be necessary to provide additional information to the user for RF exposure compliance 需要向客户提供产品符合射频频暴露要求的信息 Further guidance for equipment used in general-population/uncontrolled or occupational/controlled environments is provided in various KDB Publications 需要向客户说明产品是在受控环境还是公共环境进行工作 The operating conditions and required minimum separation distance between the user and a wireless device must be clearly specified in the 	

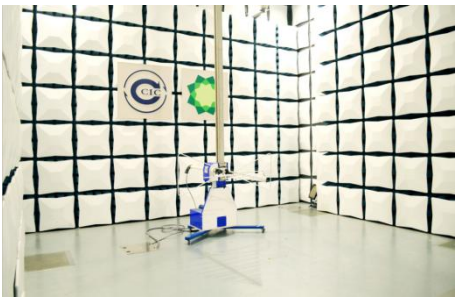
RF EXPOSURE INFORMATION——专业对讲机

<p>Portable device</p>	<ol style="list-style-type: none"> 1. This radio is designed for and classified as “Occupational/Controlled Use Only”, meaning it must be used only during the course of employment by individuals aware of the hazards, and the ways to minimize such hazards; NOT intended for use in an General population/uncontrolled environment 2. DO NOT operate the radio without a proper antenna attached, as this may damage the radio and may also cause you to exceed RF exposure limits. A proper antenna is the antenna supplied with this radio by the manufacturer or an antenna specifically authorized by the manufacturer for use with this radio. 3. DO NOT transmit for more than 50% of total radio use time, more than 50% of the time can cause RF exposure compliance requirements to be exceeded. 4. This transmitter may operate with the antenna(s) documented in this filing in Push-to-Talk and body-worn configurations. RF exposure compliance is limited to the specific belt-clip and accessory configurations as documented in this filing and the separation distance between user and the device or its antenna shall be at least 2.5 cm. 5. The highest reported SAR values for Face-held, body-worn are x.yz W/Kg, x.yz W/Kg.
<p>Mobile Device</p>	<ol style="list-style-type: none"> 1. This radio is designed for and classified as “Occupational/Controlled Use Only”, meaning it must be used only during the course of employment by individuals aware of the hazards, and the ways to minimize such hazards; NOT intended for use in an General population/uncontrolled environment 2. DO NOT operate the radio without a proper antenna attached, as this may damage the radio and may also cause you to exceed RF exposure limits. A proper antenna is the antenna supplied with this radio by the manufacturer or an antenna specifically authorized by the manufacturer for use with this radio, and the antenna gain shall not exceed XdBi by the manufacturer declared. 3. DO NOT transmit for more than 50% of total radio use time, more than 50% of the time can cause RF exposure compliance requirements to be exceeded. 4. During operation, the separation distance between user and the antenna shall be at least XXcm, this separation distance will ensure that there is sufficient distance from a properly installed externally-mounted antenna to satisfy the RF exposure requirements 5. During transmissions, your radio generates RF energy that can possibly cause interference with other devices or systems. To avoid such interference, turn off the radio in areas where signs are posted to do so. DO NOT operate the transmitter in areas that are sensitive to electromagnetic radiation such as hospitals, aircraft, and blasting sites.

RF EXPOSURE INFORMATION——民用对讲机

<p>Portable device</p>	<ol style="list-style-type: none"> 1. This radio is designed for and classified as “General population/uncontrolled Use” 2. DO NOT operate the radio without a proper antenna attached, as this may damage the radio and may also cause you to exceed RF exposure limits. A proper antenna is the antenna supplied with this radio by the manufacturer or an antenna specifically authorized by the manufacturer for use with this radio. 3. DO NOT transmit for more than 50% of total radio use time, more than 50% of the time can cause RF exposure compliance requirements to be exceeded. 4. This transmitter may operate with the antenna(s) documented in this filing in Push-to-Talk and body-worn configurations. RF exposure compliance is limited to the specific belt-clip and accessory configurations as documented in this filing and the separation distance between user and the device or its antenna shall be at least 2.5 cm. 5. The highest reported SAR values for Face-held, body-worn are x.yz W/Kg, x.yz W/Kg. The highest reported SAR values for Face-held, body-worn are x.yz W/Kg, x.yz W/Kg.
<p>Mobile Device</p>	<ol style="list-style-type: none"> 1. This radio is designed for and classified as “General population/uncontrolled Use” 2. DO NOT operate the radio without a proper antenna attached, as this may damage the radio and may also cause you to exceed RF exposure limits. A proper antenna is the antenna supplied with this radio by the manufacturer or an antenna specifically authorized by the manufacturer for use with this radio, and the antenna gain shall not exceed XdBi by the manufacturer declared. 3. DO NOT transmit for more than 50% of total radio use time, more than 50% of the time can cause RF exposure compliance requirements to be exceeded. 4. During operation, the separation distance between user and the antenna shall be at least XXcm, this separation distance will ensure that there is sufficient distance from a properly installed externally-mounted antenna to satisfy the RF exposure requirements

	<p>5. During transmissions, your radio generates RF energy that can possibly cause interference with other devices or systems. To avoid such interference, turn off the radio in areas where signs are posted to do so. DO NOT operate the transmitter in areas that are sensitive to electromagnetic radiation such as hospitals, aircraft, and blasting sites.</p>
<p>RF EXPOSURE INFORMATION——通信产品</p>	
<p>Portable device</p>	<ol style="list-style-type: none"> 1. This radio is designed for and classified as “General population/uncontrolled Use”, the guidelines are based on standards that were developed by independent scientific organizations through periodic and thorough evaluation of scientific studies. The standards include a substantial safety margin designed to assure the safety of all persons regardless of age or health. The exposure standard for wireless radio employs a unit of measurement known as the Specific Absorption Rate, or SAR, the SAR limit set 1.6W/kg. 2. Body-worn operation; this device was tested for typical body-worn operations with the back of the handset kept 10mm for body worn. To maintain compliance with RF exposure requirements, use accessories that maintain a 10mm for body worn. The use of belt clips, holsters and similar accessories should not contain metallic components in its assembly. The use of accessories that do not satisfy these requirements may not comply with RF exposure requirements, and should be avoided. 3. The highest reported SAR value for use at the ear is x.yz W/kg, and worn on the body is x.yz W/kg.
<p>Mobile Device</p>	<ol style="list-style-type: none"> 1. This radio is designed for and classified as “General population/uncontrolled Use” 2. During operation, the separation distance between user and the antenna shall be at least XXcm, this separation distance will ensure that there is sufficient distance from a properly installed externally-mounted antenna to satisfy the RF exposure requirements

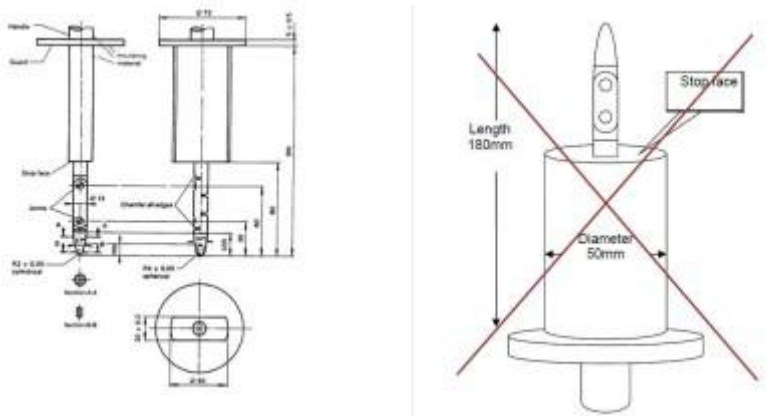


搅拌机和食物处理器的 EK1 646-16 决议再次更新

德国安全技术中心 ZLS 又更新了搅拌机和食物处理器的 EK1 646-16 决议，即 **Rev. 2 第二版** 正式公布。

Rev. 2 第二版的变更内容

采用 IEC 61032 中的 B 型试验指来进行判断是否触及危险运动部件，要求该试验指不能触碰到危险的运动部件。标准的 B 型试验指尺寸（见下图↓）



原先采用的带有 50mm 圆形挡板的类似 IEC 61032 中的 B 型试验指（见上图↑），不再被用来进行判断是否触及危险运动部件。

决议完整解读

1) 搅拌机和食物处理器不适用于标准 EN 60335-2-14 章节 20.2 第三段的豁免内容。标准 **EN 60335-2-14 章节 20.2** 第三段的内容如下：

- 从刀具上沿测量，其高度至少为 100mm；
- 送料口最大和最小截面尺寸的平均值不超过 65.5mm
- 送料口的最大截面尺寸不超过 76mm

2) 采用 IEC 61032 中的 B 型试验指来进行判断是否触及危险运动部件，该试验指不能触碰到危险的运动部件。

3) 章节如下：

- EN 60335-2-14 标准中第 20.112, 20.113 和 20.114 章的要求同样适用于搅拌器类的产品。
- 章节 20.112: 食物处理器的切割刀片应在盖子打开或移开后 1.5s 内停止工作。
- 章节 20.113: 食物处理器的互锁装置的结构应防止器具意外工作。
- 章节 20.114: 在安装可拆卸部件后还能电机工作的任何情况下都应防止触及食物处理器的危险运动部件。

对证书的影响

- 已经获得 GS 证书的产品如果不符合上述决议，应进行整改。未整改产品的证书将在 2018/10/19 被取消。

8月1日后，这项政策正式实施，械企将迎来重大变化！

距CFDA发布新版《医疗器械分类目录》过去了将近1年的缓冲时间，按照之前的公示：新版《医疗器械分类目录》将在2018年8月1日正式实施。



总局关于发布医疗器械分类目录的公告（2017年第104号）



2017年09月04日 发布

为贯彻实施《医疗器械监督管理条例》和《国务院关于改革药品医疗器械审评审批制度的意见》（国发〔2015〕44号）的要求，国家食品药品监督管理总局组织修订了《医疗器械分类目录》，现予发布，自2018年8月1日起施行。

特此公告。

附件：医疗器械分类目录

食品药品监管总局

2017年8月31日

新版的《医疗器械分类目录》正式实施后，给医疗器械企业带来的主要改变体现在**医疗器械注册和备案管理**、**医疗器械生产经营许可**两个主要方面：

医疗器械注册和备案管理有关政策：

- 自2018年8月1日起，注册申请人应当按照新《分类目录》提出注册申请。

新目录内容	新目录	2002版目录
子目录数	22	43
产品类别	206个一级产品类别 1157个二级产品类别	260个产品类别
产品名称举例	6609个	1008个
降低管理类别	40种	

新版

- 子目录（一级目录）
- 一级产品类别（二级目录）
- 二级产品类别（三级目录）
- 产品描述
- 预期用途
- 品名举例
- 管理类别

VS

2002版

- 子目录
- 产品类别
- 品名举例
- 管理类别

子目录设置				
手术类器械	有源器械	无源器械	按照临床科室	其他
01 有源手术器械	05 放射治疗器械	13 无源植入器械	16 眼科器械	19 医用康复器械
02 无源手术器械	06 医用成像器械	14 住输、护理和防护器械	17 口腔科器械	20 中医器械
03 神经和心血管手术器械	07 医用诊察和监护器械	15 患者承载器械	18 妇产科、辅助生殖和避孕器械	21 医用器械
04 骨科手术器械	08 呼吸、麻醉和急救器械			22 临床检验器械
	11 医疗器械消毒灭菌器械			
	12 有源植入器械			

● 自 2018 年 8 月 1 日起，注册人应当按照《医疗器械注册管理办法》（国家食品药品监督管理总局令第 4 号）和新《分类目录》提出延续注册申请

2018 年 8 月 1 日前已受理但尚未作出审批决定的延续注册申请项目，食品药品监督管理部门按照原《分类目录》继续审评；

准予延续注册的，如按照新《分类目录》不涉及产品管理类别调整，则按照新《分类目录》核发医疗器械注册证，在注册证备注栏中注明原医疗器械注册证编号；

如按照新《分类目录》涉及产品管理类别调整，则继续按照原《分类目录》核发医疗器械注册证，并在注册证备注栏中注明新《分类目录》产品管理类别和分类编码。

自 2018 年 8 月 1 日起，涉及产品管理类别由高类别调整为低类别的，注册人应当在医疗器械注册证有效期届满 6 个月前，按照改变后的类别向相应食品药品监督管理部门申请延续注册或者办理备案。

注册人向原审批部门提出原医疗器械注册证延期申请，予以延期的，原则上原医疗器械注册证有效期不得超过 2019 年 8 月 31 日。

● 对于注册变更申请项目，医疗器械注册变更文件的注册证编号同原医疗器械注册证。如原注册证为按照原《分类目录》核发的，则 2018 年 8 月 1 日后核发的注册变更文件备注栏中同时注明新《分类目录》的产品管理类别和分类编码。

● 由低类别调整为高类别的，备案人应当按照改变后的类别向食品药品监督管理部门申请注册，并于 2019 年 8 月 31 日前完成注册。

● 自 2018 年 8 月 1 日起，依据新《分类目录》给出产品管理类别和分类编码。

医疗器械生产经营许可有关政策：

● 自 2018 年 8 月 1 日起，持按照新《分类目录》核发的医疗器械注册证申请医疗器械生产许可的，食品药品监管部门应当依据医疗器械注册证按照新《分类目录》填写《医疗器械生产许可证》的生产范围和医疗器械生产产品登记表，其中生产范围应填写到一级产品类别。

● 自 2018 年 8 月 1 日起，新发放的医疗器械经营许可证和第二类医疗器械经营备案凭证的经营范围应当分成原《分类目录》分类编码区和新《分类目录》分类编码区，并明确标识。经营范围填写到子目录类别。新旧版本分类编码经营范围不得混编，待全部产品均为新版产品分类编码的注册证后，不再分区。

工信部发布 2018 第三批行标制修订计划 涉及多项光谱、色谱分析方法

来源：仪器信息网

导读

由制修订行标列表可知，本次涉及了多项光谱、色谱方法检测标准，包括 电感耦合等离子体发射光谱法、X 射线荧光光谱法、火花源原子发射光谱法、气相色谱法等。

日前，工业和信息化部办公厅印发关于 2018 年第三批行业标准制修订和英文版项目计划的通知。

2018 年第三批共安排项目计划 449 项。其中制定 354 项，修订 95 项；产品类标准 399 项，工程建设标准 11 项，节能与综合利用标准 37 项，标准样品 2 项。英文版项目计划 24 项，其中翻译现有行业标准的 17 项、与行业标准制修订计划同步研制外文版的 7 项。涉及化工、石化、建材、钢铁、船舶、轻工等多个行业。

由制修订行标列表可知，本次涉及了多项光谱、色谱方法检测标准，包括 电感耦合等离子体发射光谱法、X 射线荧光光谱法、火花源原子发射光谱法、气相色谱法等。

仪器信息网摘录部分内容如下：

计划号	项目名称	性质	制修订	完成年限	技术委员会或技术归口单位	主要起草单位
2018-1484T-S H	低碳 α -烯烃中金属含量的测定 电感耦合等离子体发射光谱法	推荐	制定	2020	全国化学标准化技术委员会石油化学分技术委员会	中国石油天然气股份有限公司石油化工研究院、中国石油化工股份有限公司上海石油化工研究院、中国石化股份公司北京燕山分公司
2018-1485T-S H	工业用乙二醇纯度和杂质的测定 气相色谱法	推荐	修订	2020	全国化学标准化技术委员会石油化学分技术委员会	中国石化扬子石化有限公司
2018-1486T-S H	工业用叔丁醇纯度及杂质的测定 气相色谱法	推荐	修订	2020	全国化学标准化技术委员会石油化学分技术委员会	万华化学集团股份有限公司、中国石油化工股份有限公司上海石油化工研究院
2018-1487T-S H	工业用叔丁醇酸度的测定 滴定法	推荐	修订	2020	全国化学标准化技术委员会石油化学分技术委员会	万华化学集团股份有限公司、中国石油化工股份有限公司上海石油化工研究院
2018-1489T-S H	尼龙 66 盐 第 6 部分：硝酸盐含量的测定	推荐	修订	2020	全国化学标准化技术委员会石油化学分技术委员会	河南平顶山神马尼龙化工公司、中国石油化工股份有限公司上海石油化工研究院
2018-1490T-S H	塑料聚乙烯和聚丙烯树脂中微量元素含量的测定 电感耦合等离子体发射光谱法	推荐	制定	2019	全国塑料标准化技术委员会石化塑料树脂产品分技术委员会	中国石油化工股份有限公司石油化工科学研究院
2018-1491T-S H	合成生橡胶色差的测定 色差仪法	推荐	制定	2019	全国橡胶与橡胶制品标准化技术委员会合成橡胶分技术委员会	中国石油天然气股份有限公司石油化工研究院
2018-1492T-S	氢化丁腈橡胶	推荐	修订	2019	全国橡胶与橡胶制品标	中国石油天然气股份有限公司石油化工研究

H	(HNBR)中残留不饱和度的测定碘值法				准化技术委员会合成橡胶分技术委员会	院、中国石油天然气股份有限公司兰州石化分公司
2018-1493T-SH	乙烯-丙烯共聚物(EPM)和乙烯-丙烯-二烯烃三元共聚物(EPDM)中钒含量的测定	推荐	修订	2019	全国橡胶与橡胶制品标准化技术委员会合成橡胶分技术委员会	中国石油天然气股份有限公司石油化工研究院、中国石油天然气股份有限公司吉林石化分公司
2018-1498T-JC	建筑材料及构件盐雾/干/湿/光老化循环暴露加速试验方法	推荐	制定	2019	建材行业建筑构件及材料环境条件与环境试验标委会	中国建材检验认证集团股份有限公司
2018-1538T-YB	氮化硅铁 钙、铝、铬、锰、钛、磷含量的测定 电感耦合等离子体原子发射光谱法	推荐	制定	2020	全国生铁及铁合金标准化技术委员会	武汉钢铁有限公司
2018-1539T-YB	生铁 硅、锰、磷、硫、钛含量的测定 波长色散 X 射线荧光光谱法	推荐	制定	2020	全国生铁及铁合金标准化技术委员会	内蒙古包钢钢联股份有限公司
2018-1540T-YB	火花源原子发射光谱法测定固体金属均匀性检验方法	推荐	修订	2020	冶金标准样品分技术委员会	河北创谱金属材料检测技术有限公司、冶金工业信息标准研究院
2018-1541T-YB	建立和控制原子发射光谱化学分析曲线规则	推荐	修订	2020	冶金标准样品分技术委员会	河北创谱金属材料检测技术有限公司、冶金工业信息标准研究院
2018-1558T-YB	高碳钢 S2B 光谱分析用标准样品	推荐	制定	2020	冶金标准样品分技术委员会	北京冶金标准样品技术开发公司等
2018-1559T-YB	合金钢 S18 光谱分析用标准样品	推荐	制定	2020	冶金标准样品分技术委员会	北京首钢股份有限公司、北京冶金标准样品技术开发公司等
2018-1573T-QB	牛乳及其制品中 β -酪蛋白的测定	推荐	制定	2020	全国食品发酵标准化中心	内蒙古蒙牛乳业(集团)股份有限公司、中国食品发酵工业研究院有限公司等
2018-1574T-QB	食品中水苏糖的测定——一维氢谱核磁共振波谱法	推荐	制定	2020	全国食品发酵标准化中心	中国食品发酵工业研究院有限公司、承德京天食品科技有限公司、北京顺天广泽科贸有限公司等
2018-1433T-HG	催化裂化催化剂中金属元素的测定	推荐	制定	2019	全国化学标准化技术委员会化工催化剂分技术委员会	中国石油天然气股份有限公司石油化工研究院、中石化南京化工研究院有限公司等